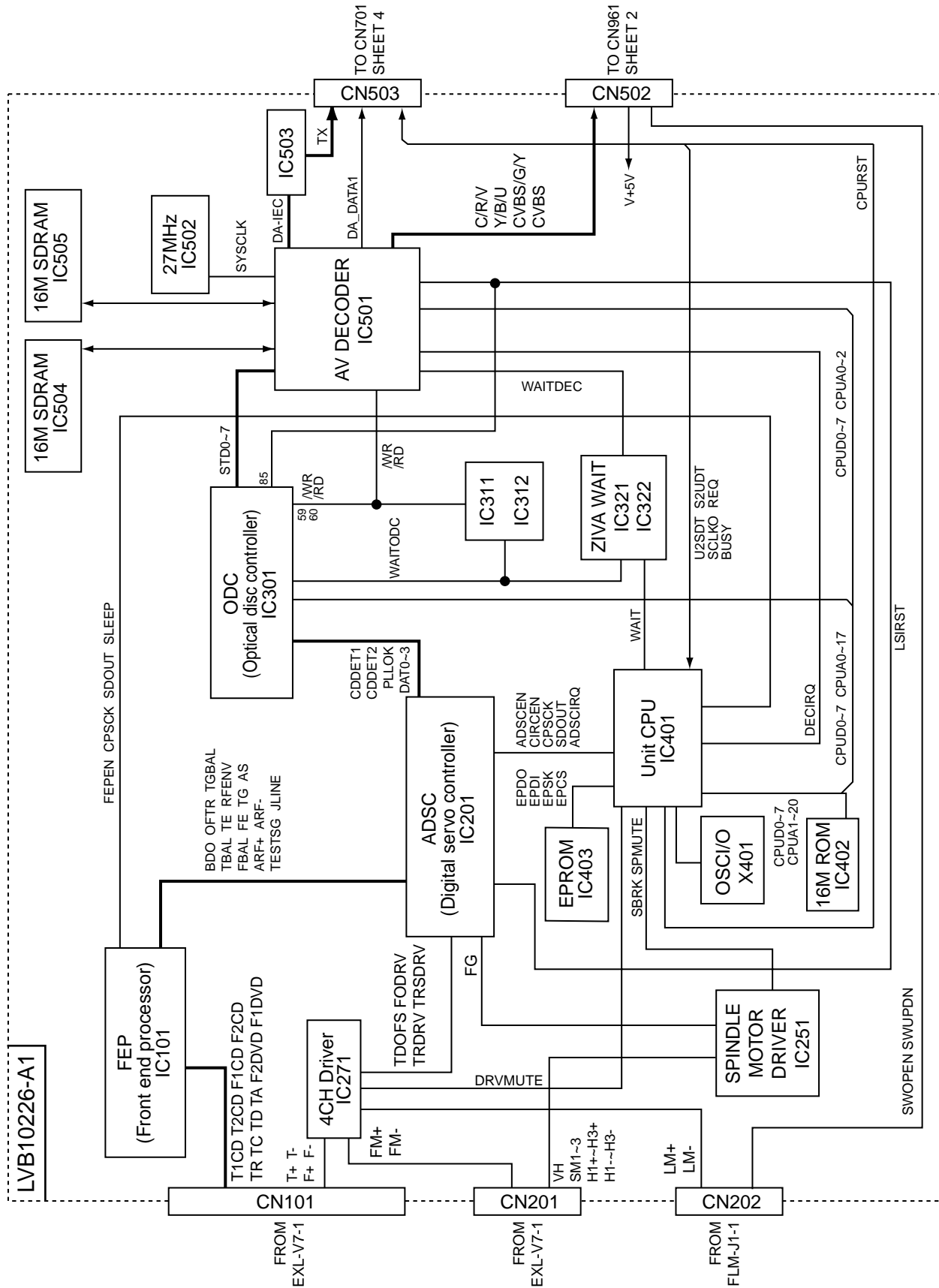
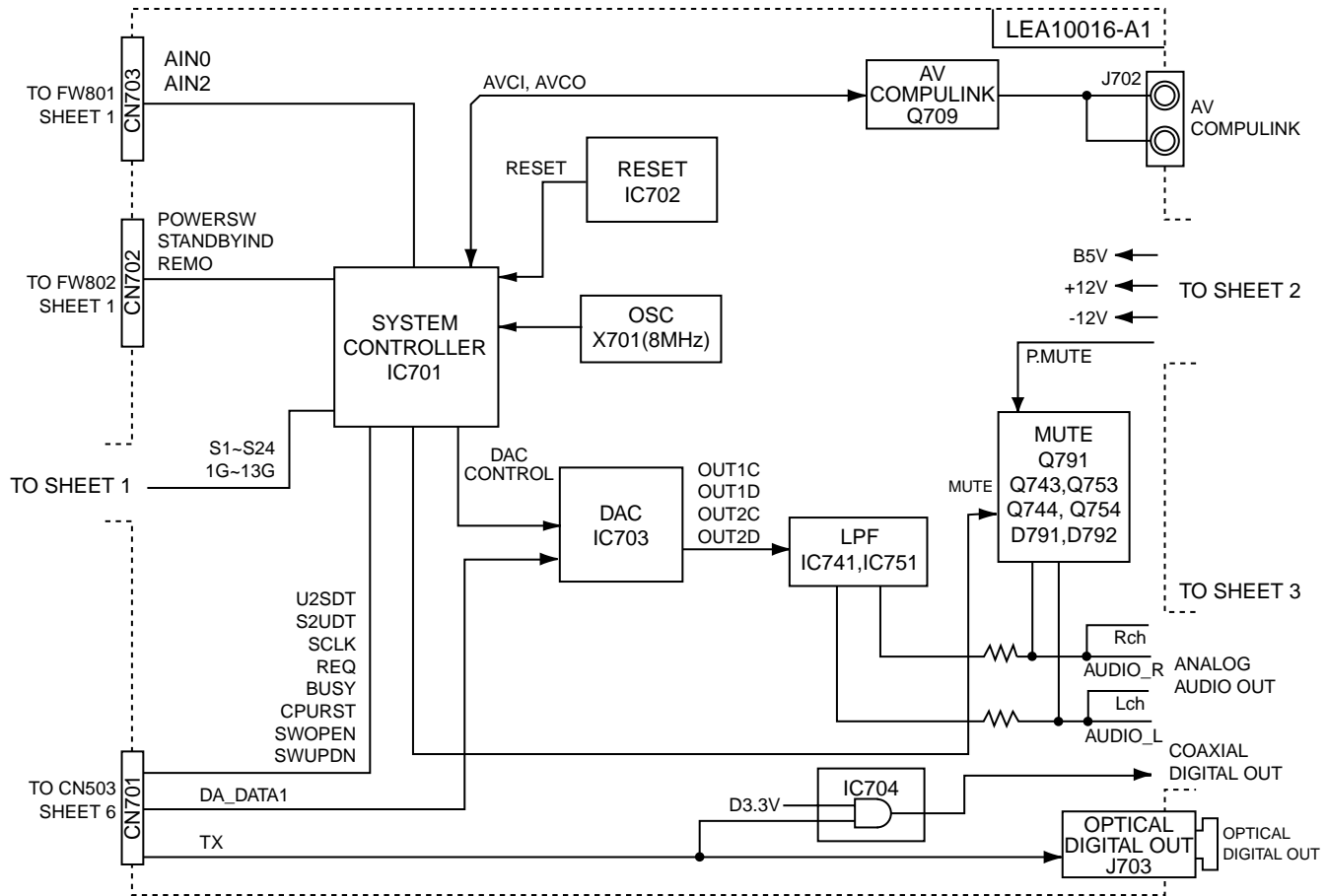


Block diagrams

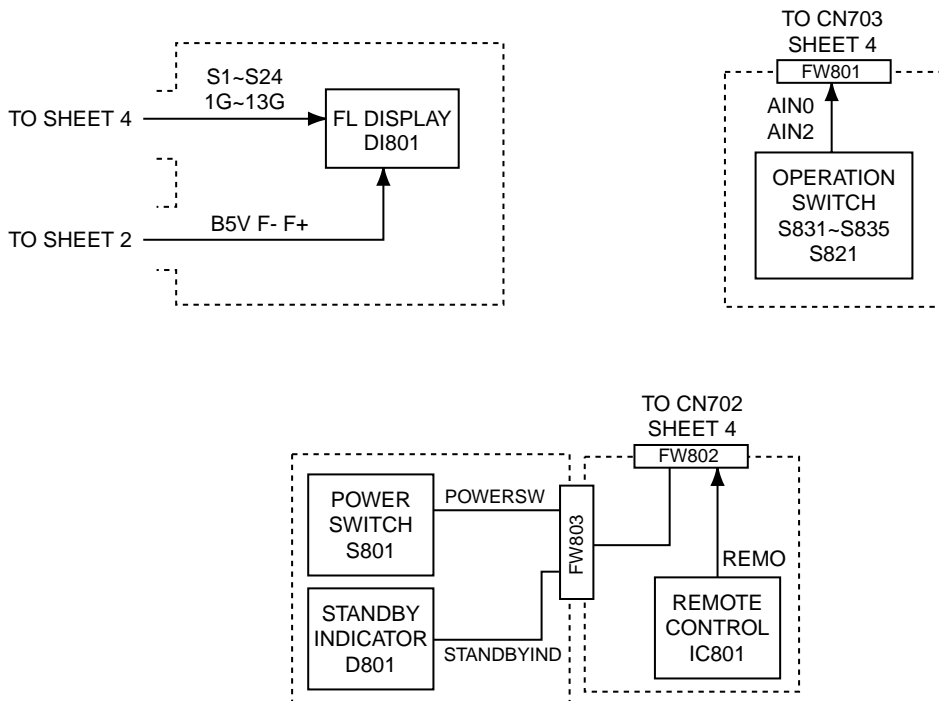
■ DVD Servo control & AV decoder section(SHEET 5,6)



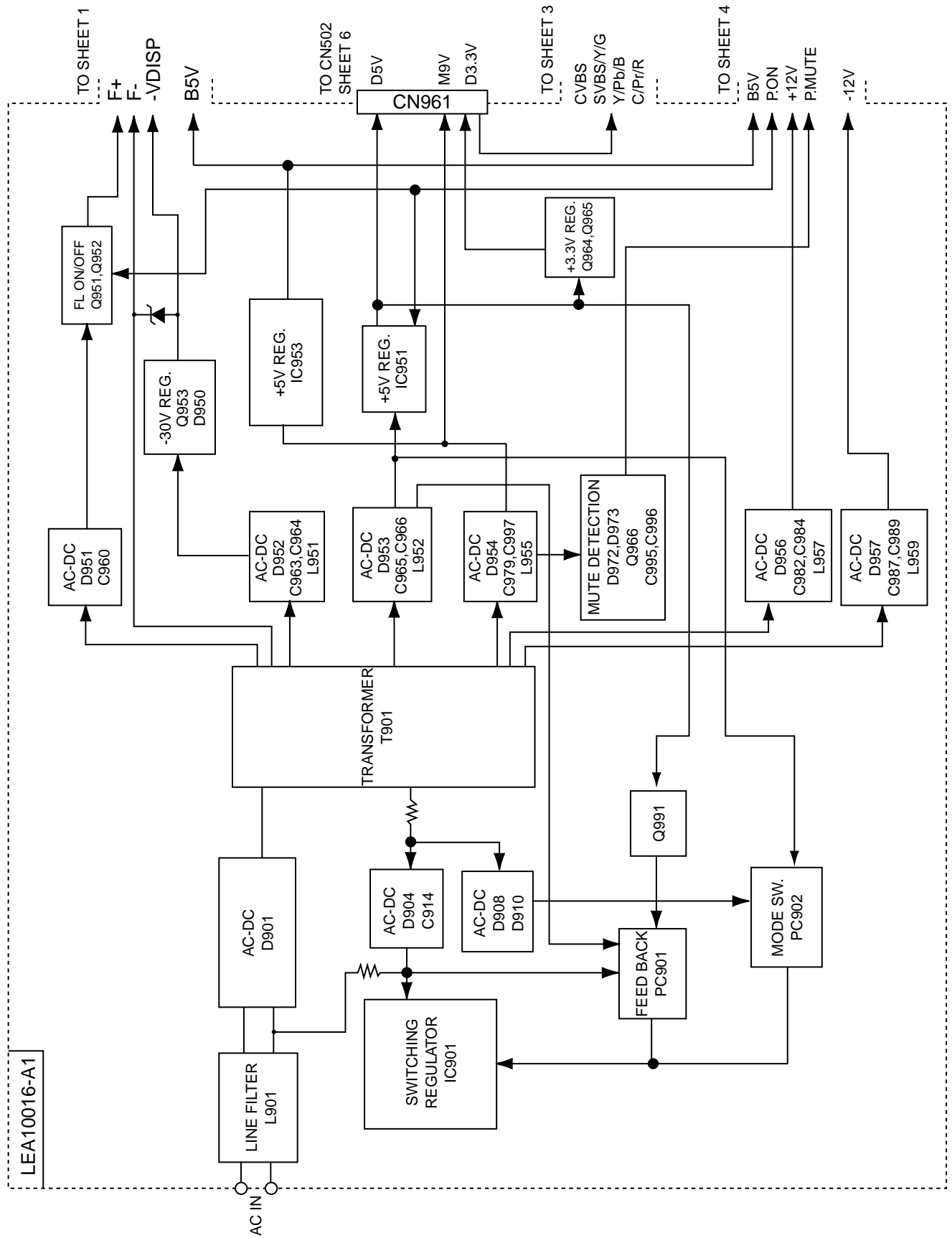
■ System control & audio output section(SHEET 4)



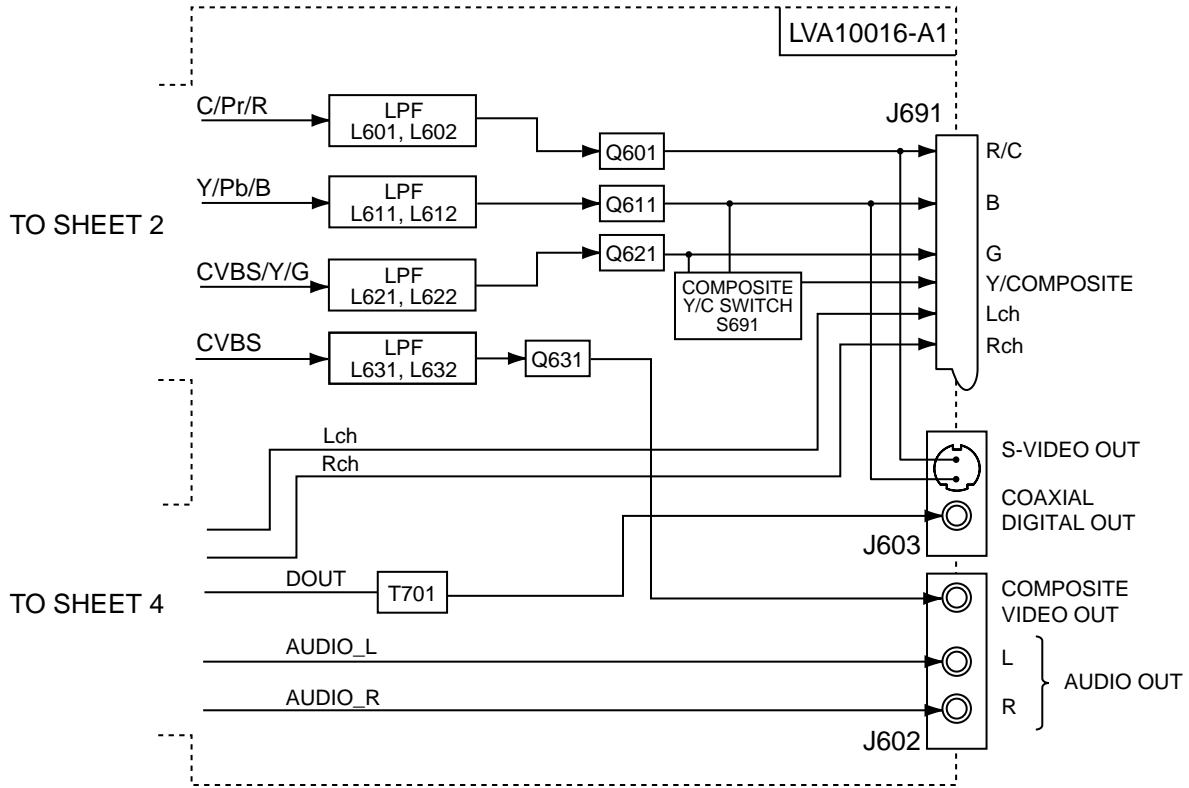
■ FL Display & Operation switch section(SHEET 1)



■ DC Regulator section (SHEET 2)

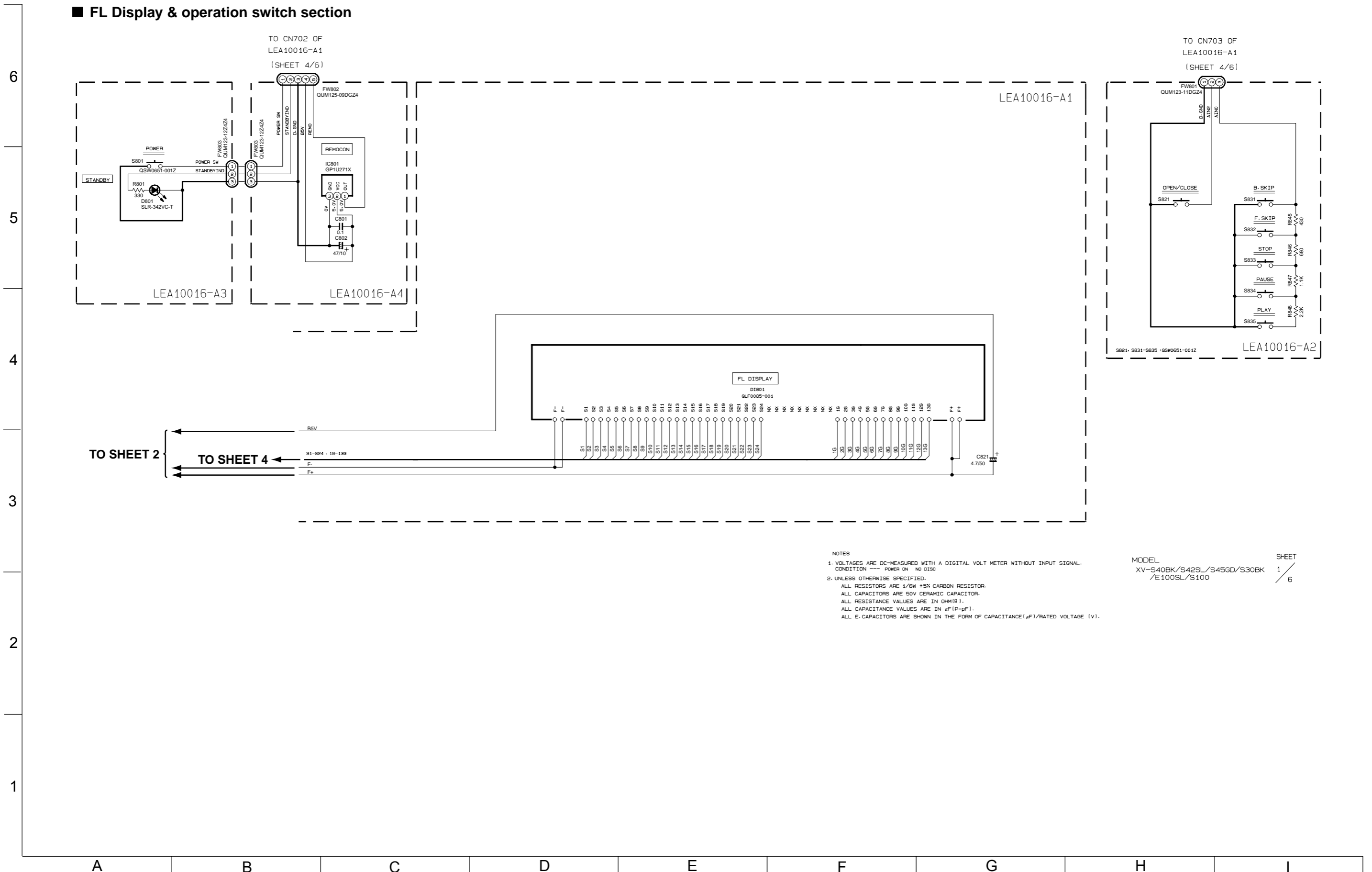


■ Audio & Video signal output section(SHEET 3)



Standard schematic diagrams

FL Display & operation switch section

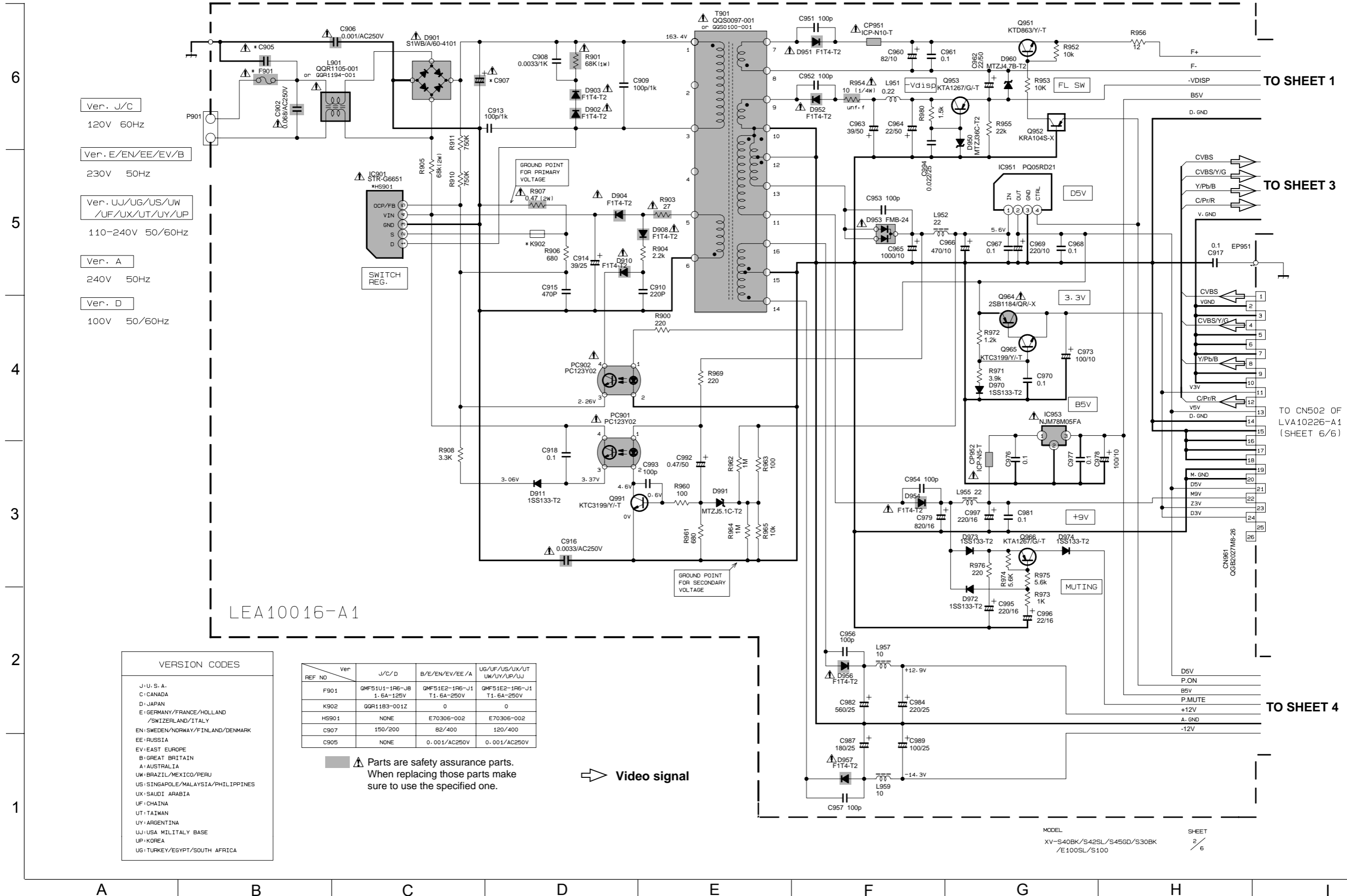


NOTES
 1. VOLTAGES ARE DC-MEASURED WITH A DIGITAL VOLT METER WITHOUT INPUT SIGNAL.
 CONDITION --- POWER ON NO DISC
 2. UNLESS OTHERWISE SPECIFIED.
 ALL RESISTORS ARE 1/6W ±5% CARBON RESISTOR.
 ALL CAPACITORS ARE 50V CERAMIC CAPACITOR.
 ALL RESISTANCE VALUES ARE IN OHM(Ω).
 ALL CAPACITANCE VALUES ARE IN μF(P=pF).
 ALL E. CAPACITORS ARE SHOWN IN THE FORM OF CAPACITANCE(μF)/RATED VOLTAGE (V).

MODEL
 XV-S40BK/S42SL/S45GD/S30BK
 /E100SL/S100

SHEET
 1 / 6

Power supply section



- Ver. J/C
120V 60Hz
- Ver. E/EN/EE/EV/B
230V 50Hz
- Ver. UJ/UG/US/UW
/UF/UX/UT/UY/UP
110-240V 50/60Hz
- Ver. A
240V 50Hz
- Ver. D
100V 50/60Hz

LEA10016-A1

VERSION CODES	
J	U.S.A.
C	CANADA
D	JAPAN
E	GERMANY/France/HOLLAND /SWITZERLAND/ITALY
EN	SWEDEN/NORWAY/FINLAND/DENMARK
EE	RUSSIA
EV	EAST EUROPE
B	GREAT BRITAIN
A	AUSTRALIA
UW	BRAZIL/MEXICO/PERU
US	SINGAPOLE/MALAYSIA/PHILIPPINES
UX	SAUDI ARABIA
UF	CHINA
UT	TAIWAN
UY	ARGENTINA
UJ	USA MILITARY BASE
UP	KOREA
UG	TURKEY/EGYPT/SOUTH AFRICA

Ver	J/C/D	B/E/EN/EV/EE/A	US/UF/US/UX/UT UW/UY/UP/UJ
F901	QMFS1U1-1R6-U8 1.6A-125V	QMFS1E2-1R6-J1 1.6A-250V	QMFS1E2-1R6-U1 1.6A-250V
K902	QGR1183-001Z	0	0
HS901	NONE	E70306-002	E70306-002
C907	150/200	82/400	120/400
C905	NONE	0.001/AC250V	0.001/AC250V

Parts are safety assurance parts.
When replacing those parts make
sure to use the specified one.

Video signal

TO SHEET 1

TO SHEET 3

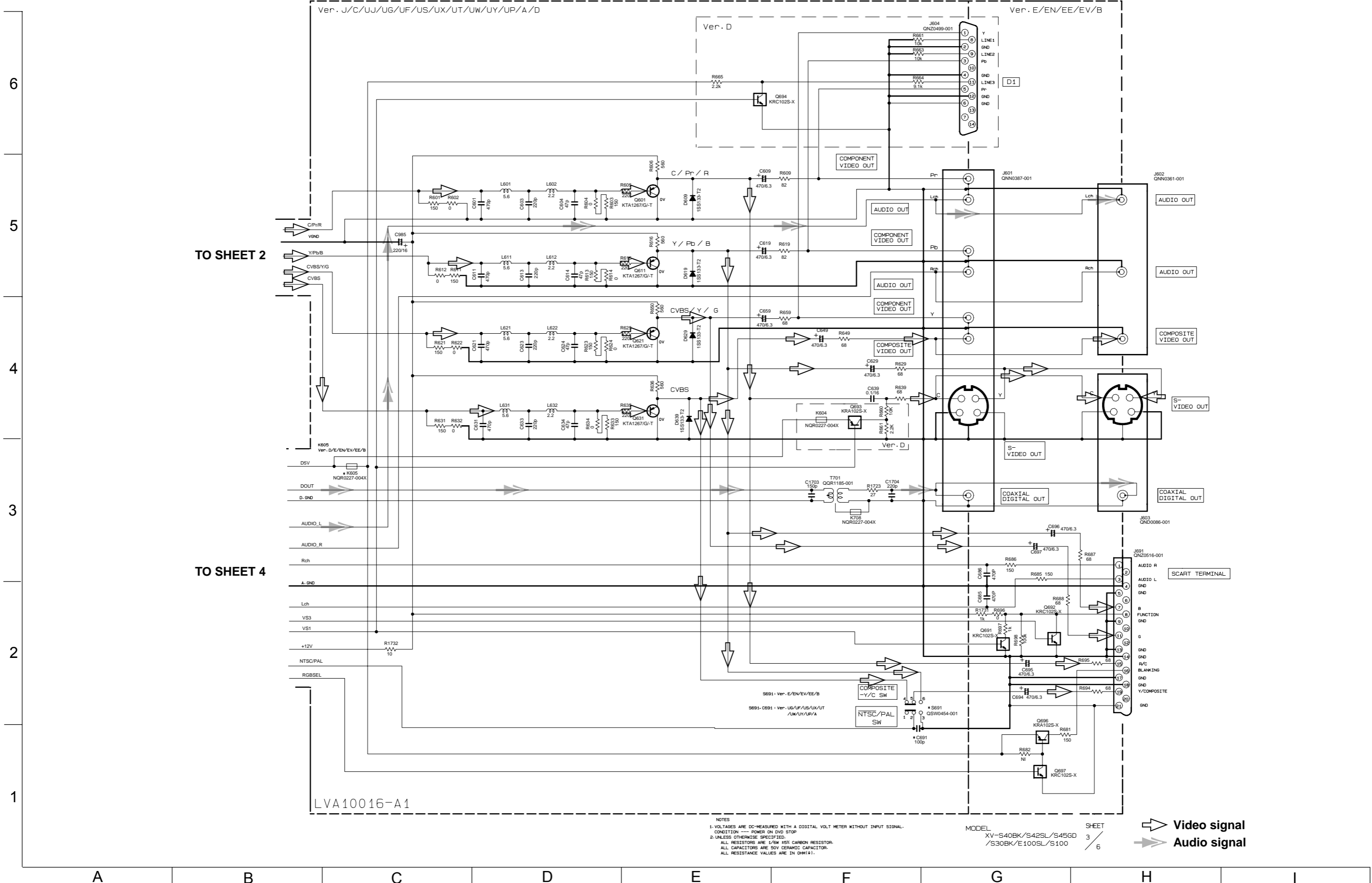
TO CN502 OF
LVA10226-A1
(SHEET 6/6)

TO SHEET 4

MODEL
XV-S40BK/S42SL/S456D/S30BK
/E100SL/S100

SHEET
2
/ 6

■ Audio / video signal output section



TO SHEET 2

TO SHEET 4

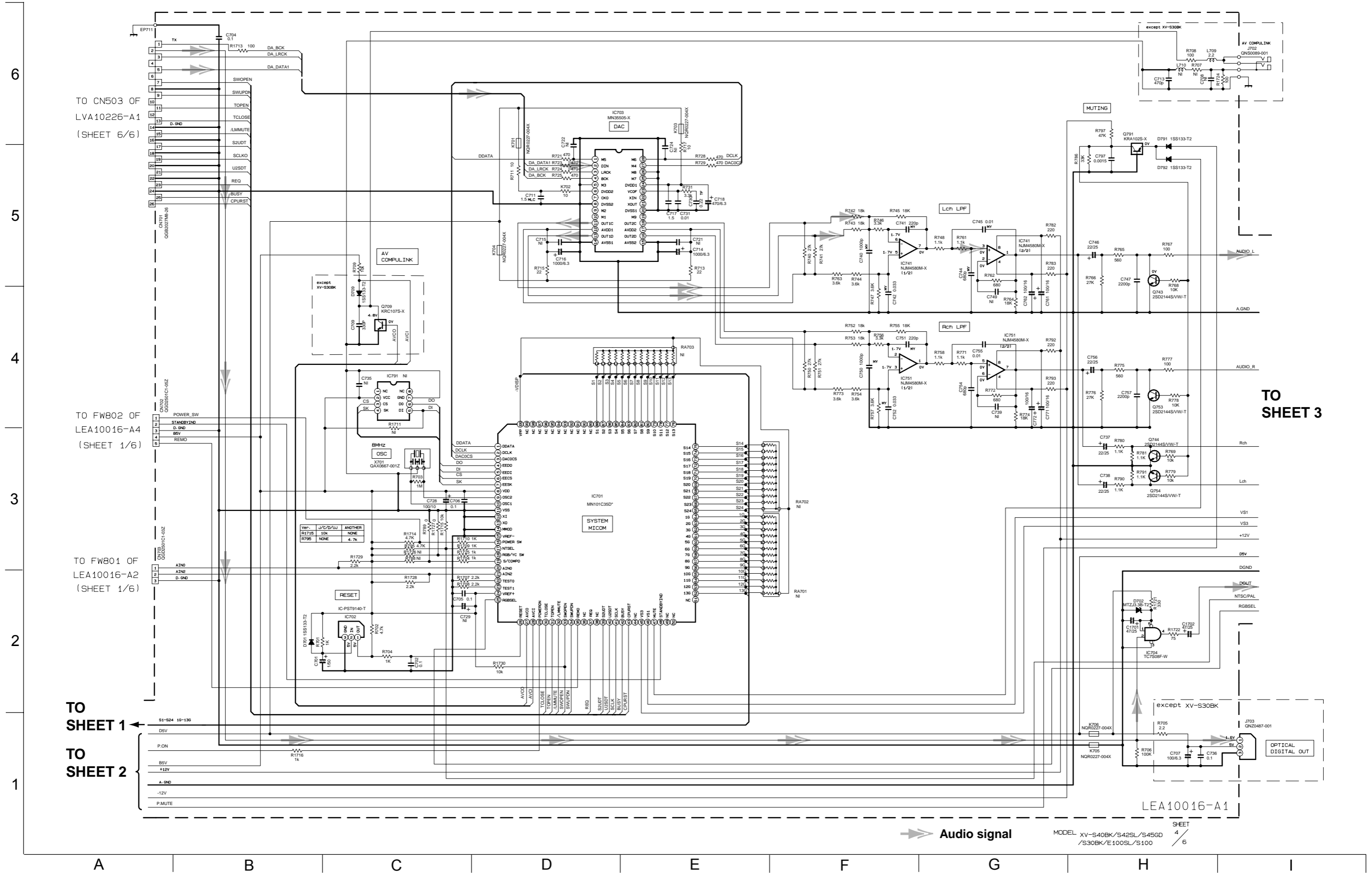
NOTES
1. VOLTAGES ARE DC-MEASURED WITH A DIGITAL VOLT METER WITHOUT INPUT SIGNAL-
CONDITION --- POWER ON DVD STOP
2. UNLESS OTHERWISE SPECIFIED,
ALL RESISTORS ARE 1/50W 1%K CARBON RESISTOR.
ALL CAPACITORS ARE 50V CERAMIC CAPACITOR.
ALL RESISTANCE VALUES ARE IN OHM(Ω).

MODEL
XV-S40BK/S42SL/S45GD
/S30BK/E100SL/S100

SHEET
3
/ 6

▶ Video signal
- - - - - Audio signal

System control & audio signal DAC section

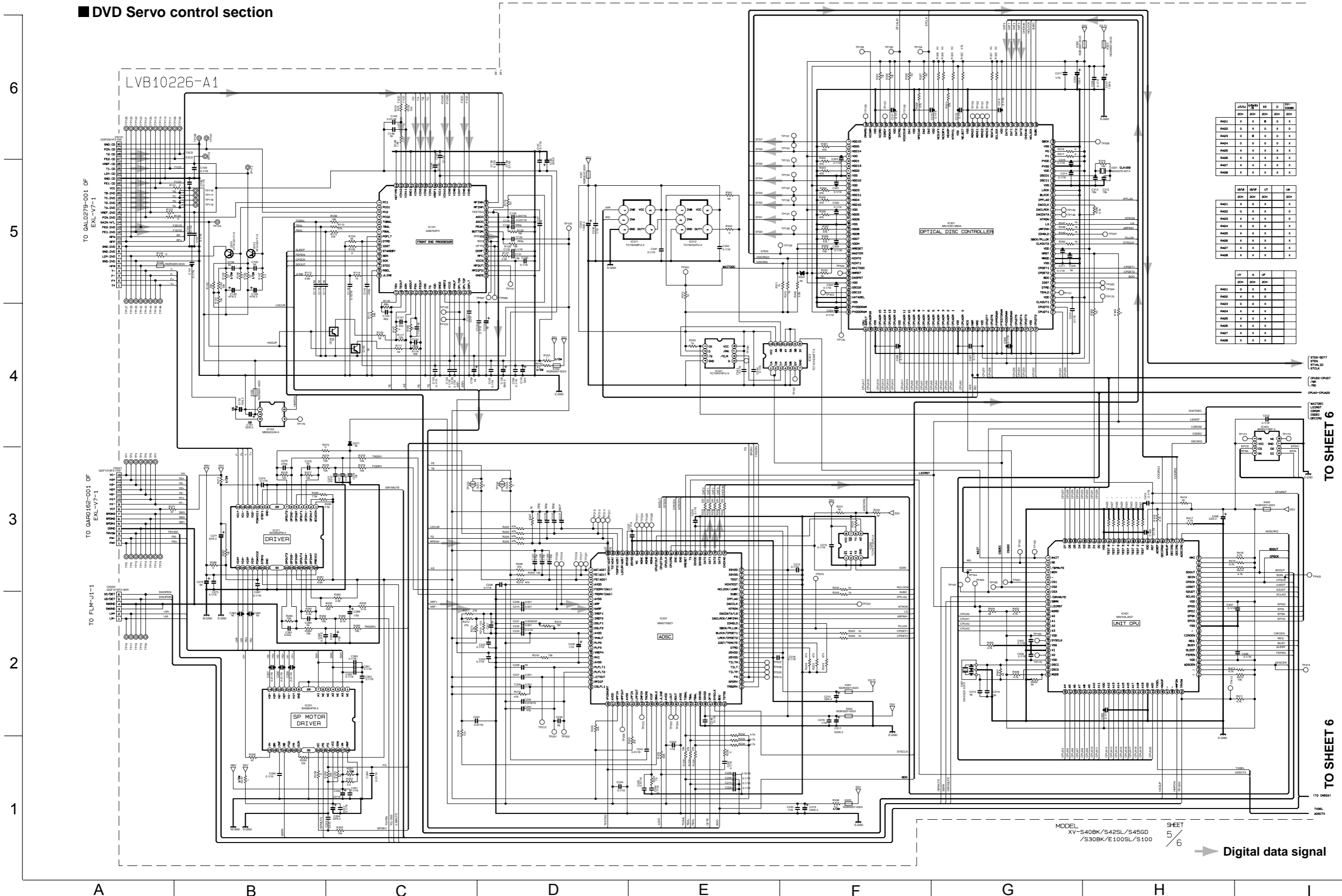


➔ Audio signal

MODEL XV-S40BK/S42SL/S45GD
/S30BK/E100SL/S100

SHEET
4
6

■ DVD Servo control section



J/F/W	CH	EE	D	SP
RA21	X	X	0	X
RA22	0	X	0	X
RA23	0	0	X	X
RA24	X	X	X	X
RA25	X	X	X	X
RA26	X	X	X	X
RA27	X	X	X	X
RA28	X	X	X	X

CH	UP	LT	SW
RA21	X	0	X
RA22	0	X	0
RA23	X	X	0
RA24	0	0	X
RA25	X	X	X
RA26	X	X	X
RA27	X	X	X
RA28	X	X	X

UV	A	UP
RA21	X	0
RA22	X	0
RA23	0	X
RA24	X	X
RA25	X	X
RA26	X	X
RA27	X	X
RA28	X	X

TO SHEET 6

TO SHEET 6

MODEL
XV-S40BK/S42SL/S45GD
/S30BK/E100SL/S100

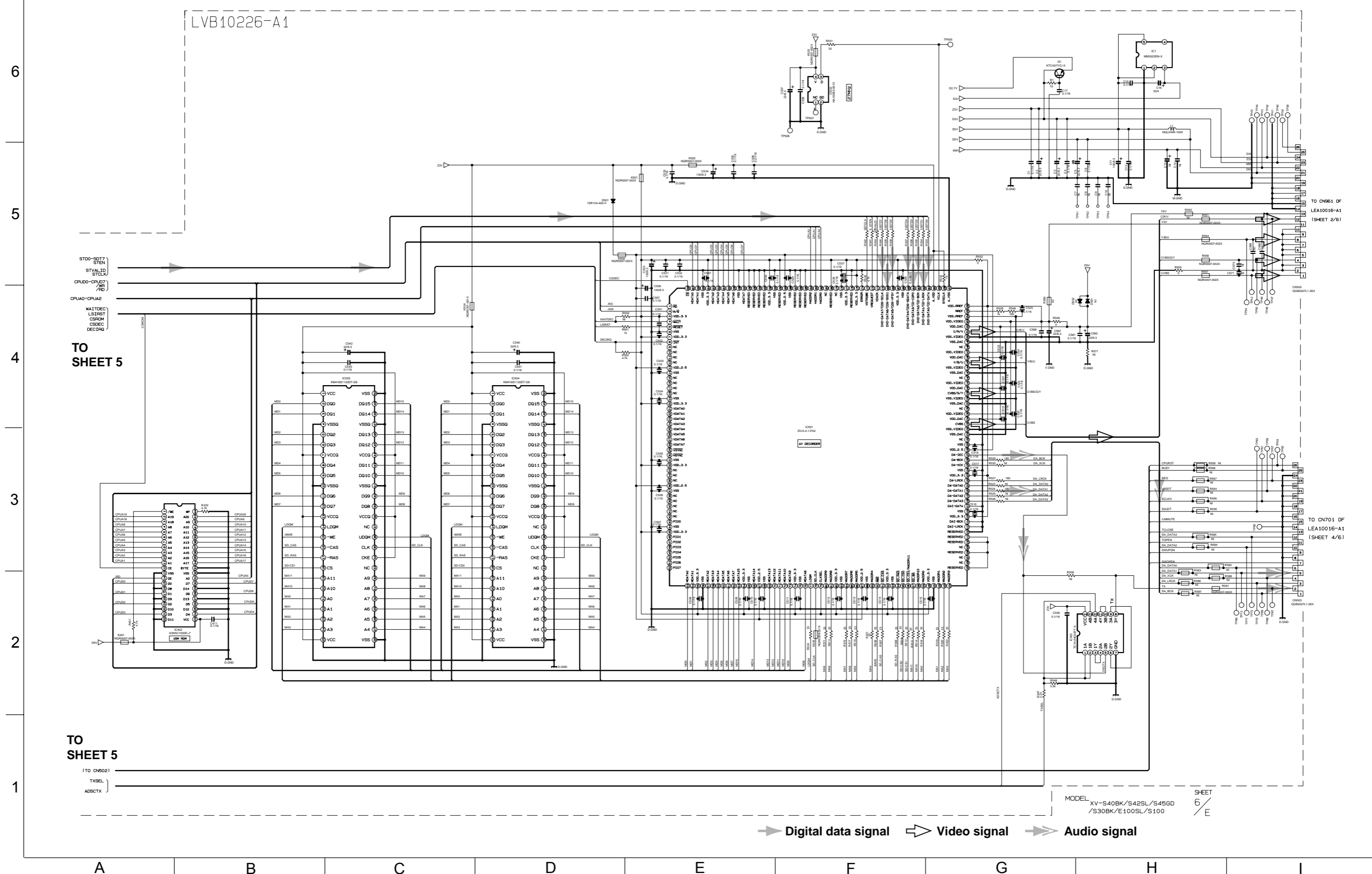
SHEET
5/6

➔ Digital data signal

6
5
4
3
2
1

A B C D E F G H I

AV Decoder section



TO SHEET 5

TO SHEET 5

TO CN61 OF
LEA10016-A1
(SHEET 2/6)

TO CN701 OF
LEA10016-A1
(SHEET 4/6)

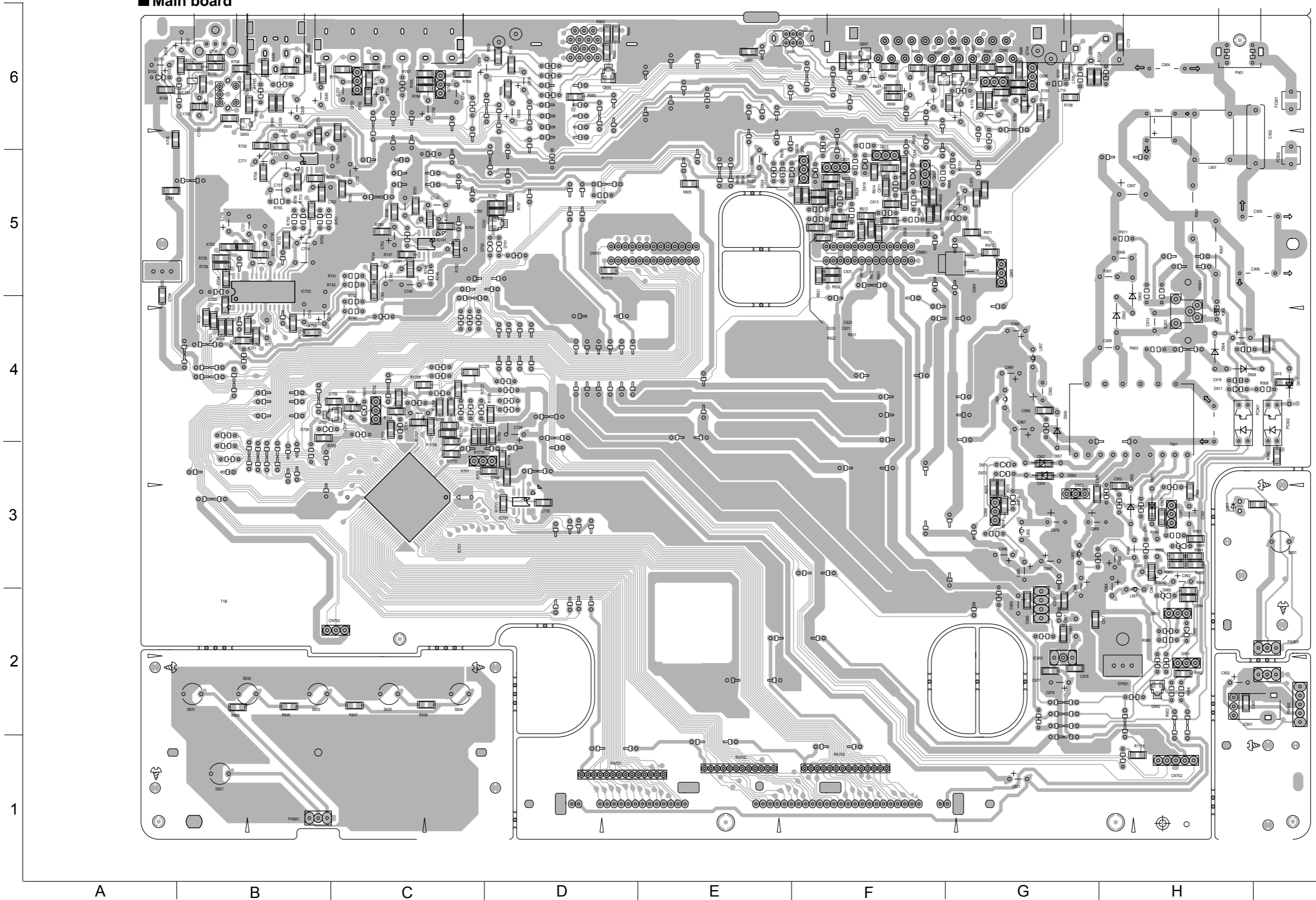
MODEL XV-S40BK/S42SL/S456D
/S30BK/E100SL/S100

SHEET
6
E

➔ Digital data signal ➤ Video signal ➡ Audio signal

Printed circuit boards

■ Main board



■ DVD Servo control board

